

Quote • Purchase Order No:

Lightning Mobility Series Order Form

Customer:

Date:

Contact:

Mark For:

Shipping Information:

Ship To:

Address:

City:

Zip:

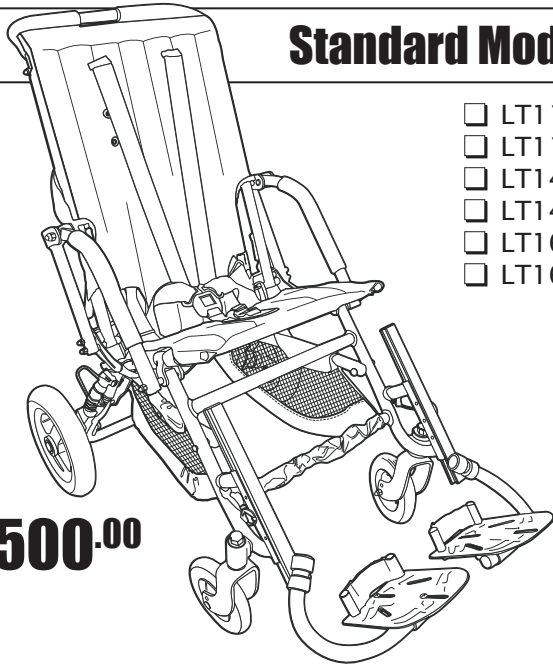
State:

Phone:

Fax:

Email:

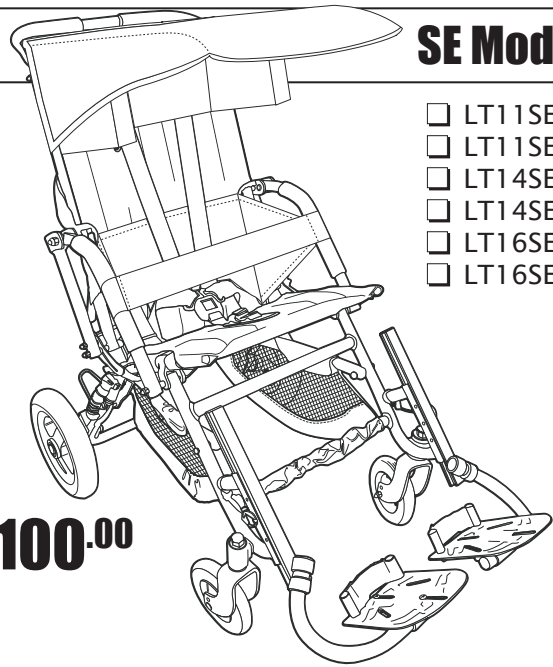
Standard Model



\$1,500.00

- LT11-BLU
- LT11-RED
- LT14-BLU
- LT14-RED
- LT16-BLU
- LT16-RED

SE Model



\$2,100.00

- LT11SE-BLU
- LT11SE-RED
- LT14SE-BLU
- LT14SE-RED
- LT16SE-BLU
- LT16SE-RED

Standard Feature:

Silver Frame, H-Harness, Heavy Duty Upholstery, Basket, Closure Strap, Transport Handle, Wheel Locks, Depth Adjustable Crotch Strap, Removable Adjustable Swing-Away Footrests.

SE Feature:

In Addition To Standard Features: Headrest Pad, Padded Covers For H-Harness, Adjustable Single Flap Lateral Support w/Scoli Strap, Adjustable Double Flap Lateral Support w/Scoli Strap, Headrest Extension, Heel-Loop/Ankle Cuffs, Canopy, Reinforced Upholstery Stiffeners.

Additional Options and Ideas:

LT-BHC	Padded Covers For H-Harness	\$120.00	LT-WT	Working Tray	\$300.00
LT-HR	Headrest Pad	\$190.00	LT-AH	Adjustable Push Handles	\$125.00
LT-SF	Adjustable Single Flap Lateral Support with Scoli Strap	\$160.00	LT-EK	Seat Depth Extension Kit (3" for LT11- 2" for LT14- N/A for LT16)	\$100.00
LT-DF	Adjustable Double Flap Lateral Support with Scoli Strap	\$190.00	LT-CP	Cushion Pad for Stroller (90° Wedge)	\$100.00
LT-HRE	Headrest Extension	\$130.00	LT-NC	Neoprene cover set for Upholstery	\$175.00
LT-BAC	Heel-Loop/Ankle Cuffs	\$75.00	LT-ATS	Abductor Thigh Support Cushion	\$175.00
LT-TD	Tie-Downs	\$299.00	LT-RC	Rain Cover for Lightning	\$95.00
LT-CB	Canopy	\$190.00	LT-RK	2" Seat Depth Reduction Kit	\$100.00
LT-STIF	Reinforced Upholstery Stiffeners	\$175.00			

STEALTH PRODUCTS, LLC

104 John Kelly Drive
 Burnet, TX 78611
 Ph: 800.965.9229 Fx: 800.806.1225

**For more information visit:
www.stealthproducts.com**