

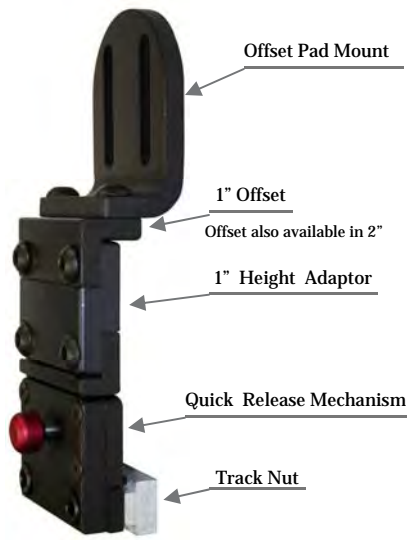


Flush Pad Mount

ADDUCTOR PADS



HEIGHT ADAPTORS



Quick Release Button

TECHNICAL DATA

1. 5/32 tool for 1/4- 20 button head screw adjustment.
2. 3/16 tool for 1/4-20 socket head screw. (track nut adjustment)
3. Set screws adjustment for increased stability.

SELLING POINTS

1. Height adaptors can be added to compensate for seat cushion thickness.
2. Push button quick release mechanism.
3. Smooth finished edging on every piece.
4. A variety of height adaptors & pad mounts available.
5. Easily removable to transfer patient from chair.

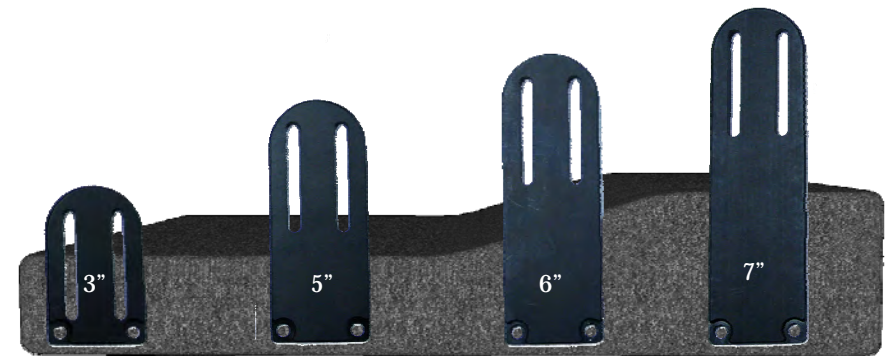
The LP411 Includes:

1. Flush Pad Mount
2. Quick Release Mechanism
3. Track Nut

PAD MOUNTS / OFFSETS

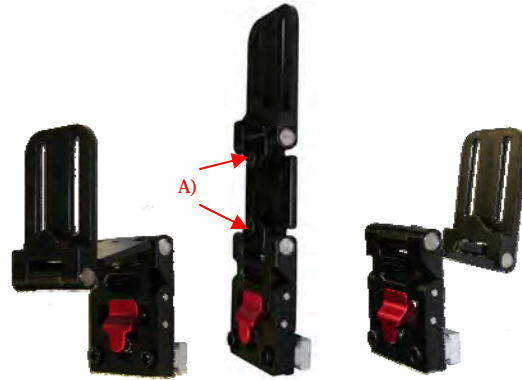
The image below illustrates the use of different sized pad mounts with your standard LP411 hardware. The distance from the track nut to the pad mount fastener is shown to the right. Add height adaptors to accommodate your needs.

1.75"

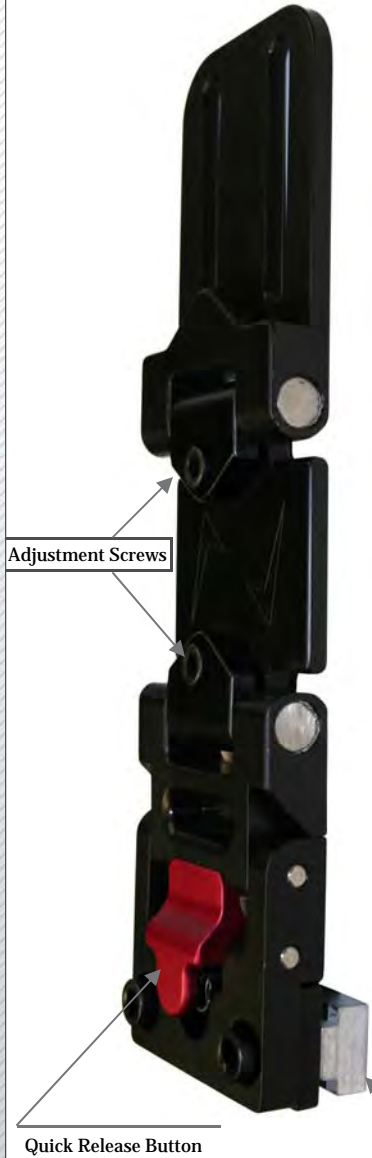
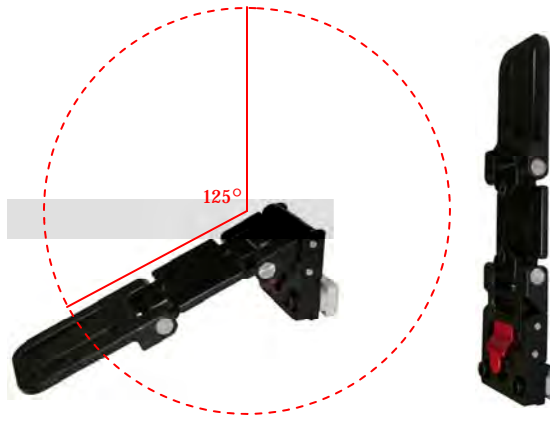


ADJUSTABILITY

Lightly loosen socket head screws (A), set desired position, and retighten screws.



FLIP DOWN ACTION



TECHNICAL DATA

1. 5/32 tool for the 10–24 socket head screws. (angle adjustment)
2. 3/16 tool for adjustment of the 1/4–20 socket head screws. (track nut adjustment)
3. No height adaptors or offsets can be added. Maximum reach of 7" from track nut.

SELLING POINTS

1. Smooth finished edging on every piece.
2. Easy to use flip down feature for easily transferring a patient from the chair.
3. Thin profile for limited spaces.
4. 125° of flip down action.

AVAILABLE THIGH ADDUCTOR PAD SIZES

The TWBTLADD Includes:

1. Thin Flip Down Adductor
2. Track Nut



8"

TWBADD-4x8

TWBADD-4x4

4"x4"

4"x8"

TWBADD-4x12

4"x12"