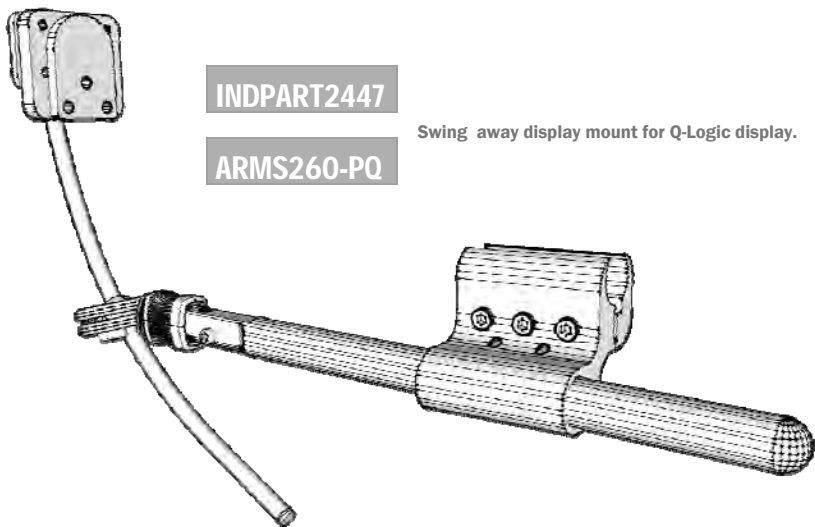


## OEM PART NUMBERS



**INDPART2447**

Swing away display mount for Q-Logic display.

**ARMS260-PQ**

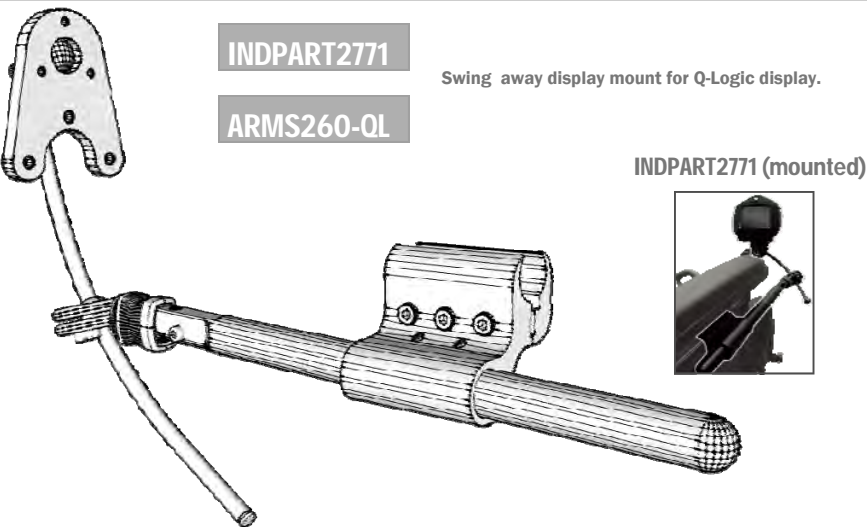
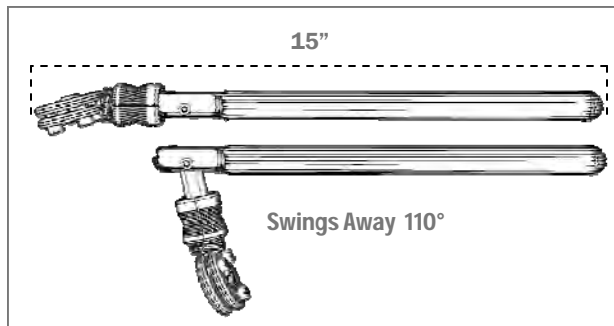
## TECHNICAL DATA

1. 5/32 tool for swing away rod rotary adjustment .
2. Pivot points at the swing away earpiece and at the joystick mount.
3. Standard hardware attaches to any 7/8" armrest cane.
4. Set screw adjustment for increased stability.
5. 110°

## SELLING POINTS

1. Fully adjustable fore and aft through armrest mount.
2. Independent rotary adjustment of swing away rod and joystick mount.
3. Quick and easy one-hand release button for swing away.
4. Smooth finished edging on every piece.

## ILLUSTRATIONS



**INDPART2771**

Swing away display mount for Q-Logic display.

**ARMS260-QL**

INDPART2771 (mounted)

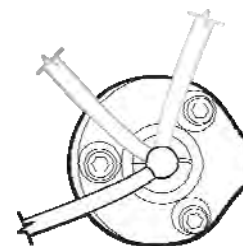


## ARM240

Standard armrest mount for ARMS series.

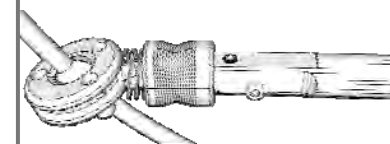


For the Height Adjustable mounting clamp upgrade ask for – ARM250-Q



Rotary movement

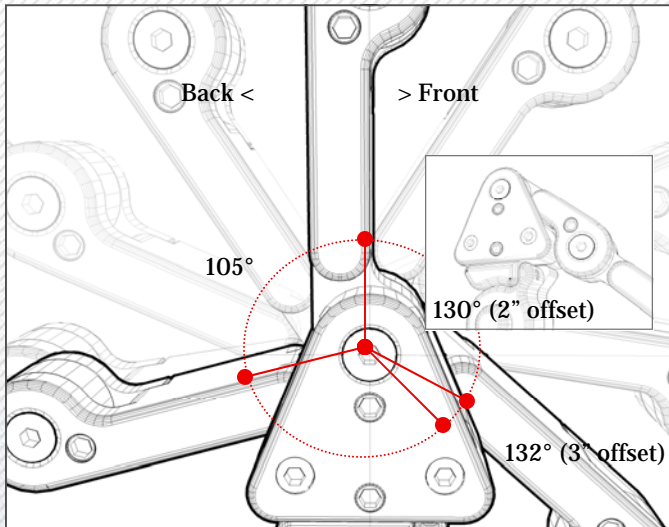
## Set Screw Adjustment



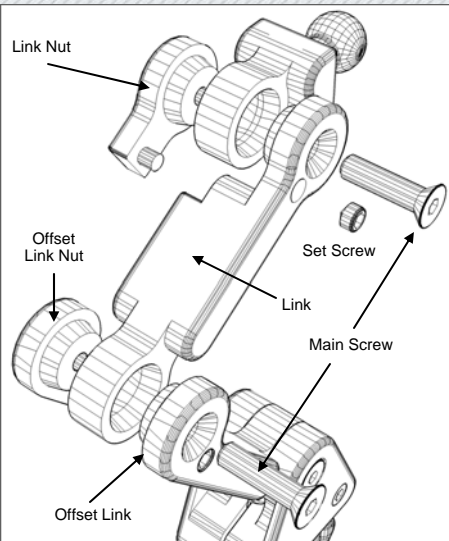
(3/32 tool for set screw adjustment)



## Link Adjustability Range



## General Information



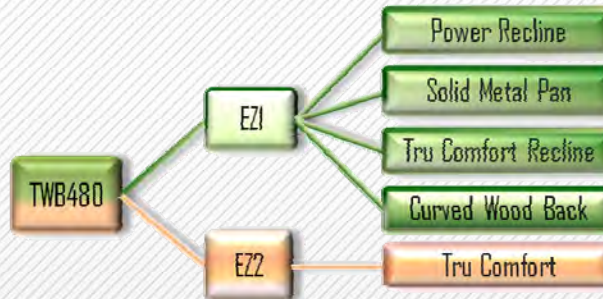
### Adding Links...

- To mount a new link into your new TWB480FDM -
1. Loosen & remove the main screws and link nuts.
  2. Add the link in the desired position & replace link nuts & main screws. (uses 5-32 5/32 tool)
  3. Tighten the set screws for additional support.

### EZ2-TRU COMFORT BACK

Tru Comfort Back Requires approximately 1/4" to be cut from the shroud in the rear in order for the back to receive the hardware

## EZ—Guide



<b>EZ1</b>	Requires minimal tools & no modifications
<b>EZ2</b>	Requires minimal tools & minor modifications
<b>Ez3</b>	Requires multiple tools & several modifications

More information available at [www.stealthproducts.com](http://www.stealthproducts.com)

### Curved Wood Back—EZ1



### Solid Metal Pan Back—EZ1



### Power Recline Back—EZ1



### Tru Comfort Recline Back—EZ1

