



1.800.965.9229
1.800.806.1225 fx

Stealth Products, Inc.
104 John Kelly Dr.,
Burnet, TX 78611

www.stealthproducts.com
info@stealthproducts.com
facebook.com/StealthProducts

PO#: Type:

Customer:

Branch: Date:

Contact:

E-mail:

Phone: Fax:

Required Information

Mobility Base Information

Model Type:

Color:

Frame Width: Depth:

Push Handle Height:

Cane Sizes:

Back Top: Seat:

Back Bottom:

Seat & Back Insert Information

Full Width Mount: Seat Back

Between Rails Mount: Seat Back

NOTE: Reference guide for upholstery, foam and more in our catalog or visit our website at www.stealthproducts.com. Check our new interactive toolbar at the bottom of the page.

Free Provider Install Program

SSS-CSI Complete System Install

SSS-SSO Seating Ship Out

SSS-FSSA Full Seating System Assembly

Embroidery Information Block Script

Name:

Color Thread:

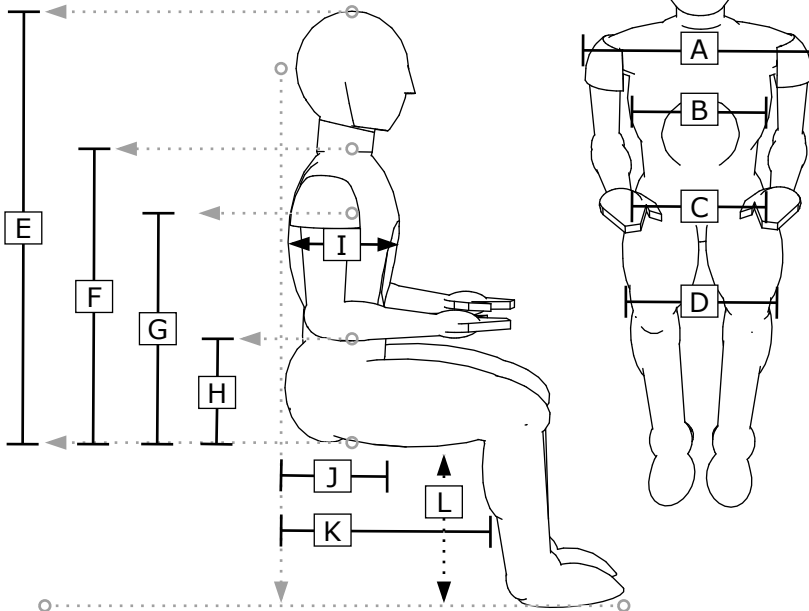
Contact Material:

Non-Contact:

All cover same material Tilt Conversion

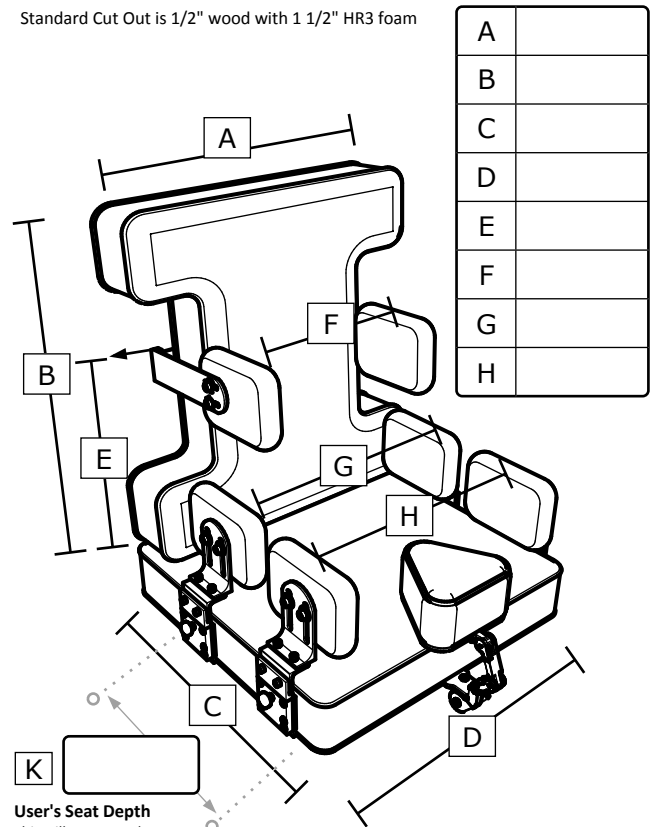
Client Dimensions

A	Shoulder Width	G	Seat to Axila
B	Chest Width	H	Seat to PSIS
C	Pelvic Width	I	Chest Depth
D	Width at Knee	J	Back to ITS Anterior
E	Seat to Top Head	K	User's Seat Depth
F	Seat to Top Shoulder	L	Seat to Footplate



Seating Dimensions

Standard Cut Out is 1/2" wood with 1 1/2" HR3 foam



A	
B	
C	
D	
E	
F	
G	
H	

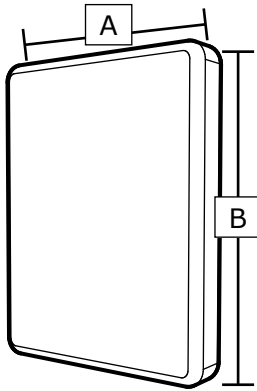
User's Seat Depth
This will auto-populate when user field "K" is being filled in.

Note:

Mark for:

PO#:

Standard Back Dimensions



A	
B	

For more options see next page.

E2617

Foam Options

- BMD200** 1/2" Pudgee \$128.00
- BMD204** 1/2" Cubed Gel \$225.00
- BMD243** 1/2" Flat Gel \$171.00
- BMD281** 1/2" Closed Cell Foam \$35.00
- BMD205** 1/2" Extra Soft SunMate \$45.00
- BMD207** 1/2" Soft SunMate \$45.00
- BMD210** 1/2" Medium SunMate \$45.00
- BMD212** 1/2" Firm SunMate \$45.00
- BMD261** 1/2" Extra Soft T-Foam \$55.00
- BMD263** 1/2" Soft T-Foam \$55.00
- BMD265** 1/2" Medium T-Foam \$55.00
- BMD287** 1/2" HR1 \$25.00
- BMD289** 1/2" HR2 \$25.00
- BMD291** 1/2" HR3 \$25.00

Notes:

E2617

All Purpose Hardware

- SBP200** 4 Point \$658.00
- SBP202** 2 Point with Seat-To-Back Bracket \$586.00
- SBP211** 2 Point with Seat-To-Back Bracket & Locking Pin \$636.00
- SBP214** 4 Point with Locking Pin \$658.00
- SBP219** 2 Point Dynamic Hardware & Seat-To-Back Bracket \$697.00
- SBP220** 4 Point Dynamic Back Mounting Hardware Double Slot Single Hook L Bracket \$838.00

Pediatric Back Mounting Hardware

- SBNP210** Niño 4 Point \$726.00
- SBNP211** Niño 2 Point with Seat-To-Back Bracket \$720.00

Seat-To-Back Brackets

- Adjustable (add \$61) Hinged

TWB Non Removable Hardware

- SBP209** 2 Point with Seat-To-Back Bracket \$625.00

Pediatric TWB No Removable Hardware

- SBNP212** Niño with Adjustable L Brackets* (4 Point) \$627.00
- SBNP213** Niño with Seat-To-Back Brackets* (2 Point) \$730.00

Seat-To-Back Brackets

- Adjustable (add \$61)** Hinged

J&L Hardware

- SBP203** Fixed/Rotating Hold Downs 4 Points \$348.00
- SBP204** Fixed Hold Downs 4 Points \$346.00
- SBP215** SBP203 with Heavy Duty L Brackets 4 Points \$423.00
- SBP216** SBP204 with Heavy Duty L Brackets 4 Points \$421.00

L Brackets (Steel)

- 2 holes 3 holes 5 holes 7 holes 10 holes

J Hooks

- 2 holes 6 holes

Mounting Hooks

- SBP207** Flush Mounting Hooks \$330.00

Drop Mounting Hooks

- 3/4" 1" 1 1/2" 2" 2 1/2" 3" 4" 1" 2" **Lift Mounting Hooks**

Trouble Free Mounting Hardware

- SBP208** 4 Point \$554.00
- SBP210** 2 Point with Seat-To-Back Brackets \$491.00

Seat-To-Back Brackets

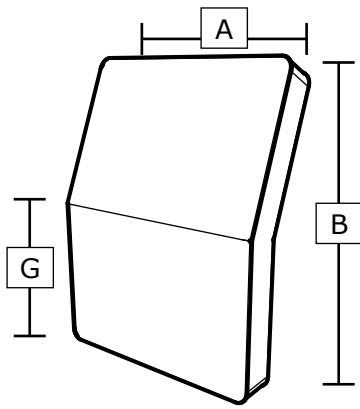
- Adjustable (add \$61) Hinged

*Include tracks / **Not available for pediatrics

Mark for:

PO#:

Bi-Angular Back Modification \$257.00

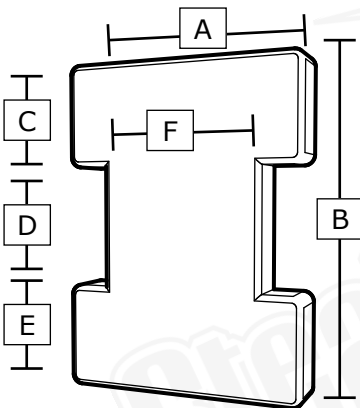


- BMD223
Single
- BMD217
2 Pieces

A	
B	
G	

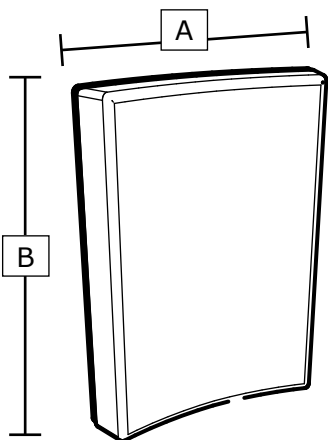
Curved Lower Piece (Curved Foam)

I-Back Modification [BMD220] \$91.00



A	
B	
C	
D	
E	
F	

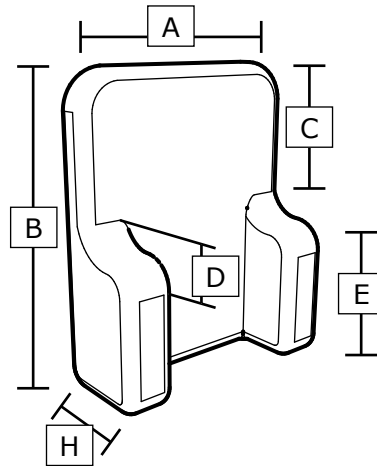
Curved Back



- \$97.00 BMD235
Curved Foam
- \$79.00 BMD224
1/2" Curved Wood
- \$79.00 BMD224 + BMD244
3/8" Curved Wood

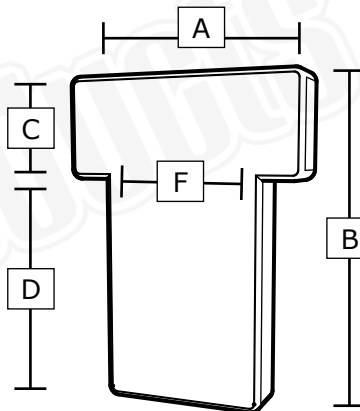
A	
B	

Contour Back Modification [BMD202] \$224.00



A	
B	
C	
D	
E	
H	

T-Back Modification [BMD221] \$91.00



A	
B	
C	
D	
F	

Notes:

E2617

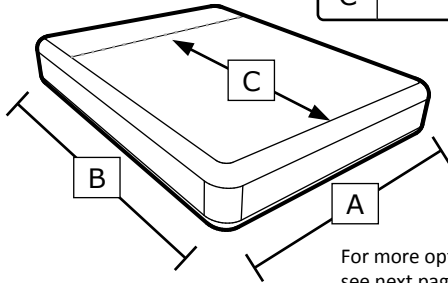
Mark for:

PO#:

Standard Seat Dimensions

E2609

A	
B	
C	



For more options see next page.

All Purpose Hardware

- SSP300** 2 Point All Purpose Front with 2 Point TF Rear \$554.00
- SSP301** 2 Point with Seat Tabs \$436.00
- SSP311** 2 Point with Locking Pin & Seat Tabs \$486.00
- SSP316** 4 Point with Locking Pin \$584.00
- Pediatric (Niño) --**
- SSNP310** Niño 4 Point* \$629.00
- SSNP311** Niño 2 Point with Seat Tabs* \$479.00

J&L Hardware

- SSP303** 4 Pt. Adjustable J Hooks & Fixed/Rotating Hold Downs \$348.00
- SSP323** 4 Pt. Aluminum Adjustable J Hook & F/R Hold Downs \$423.00

L Brackets (Steel)

- 2 holes 3 holes 5 holes 7 holes 10 holes

J Hooks

- 2 holes 6 holes

Mounting Hooks

- SSP306** Flush Mounting Hooks \$324.00

Drop Mounting Hooks

- 3/4" 1" 1 1/2" 2" 2 1/2" 3" 4" 1" 2" **Lift Mounting Hooks**

Trouble Free Hardware

- SSP304** 4 Pt. T/F Mounting Hardware and Drop Stops \$554.00
- SSP307** 2 Pt. T/F Snap-On Mounts w/Pins, Seat Tabs and Drop Stops \$325.00
- SSP308** 2 Pt. T/F Snap On Mounts, Seat Tabs and Drop Stops \$348.00
- SSP312** 2 Pt. T/F Mounting Hardware, Seat Tabs and Drop Stops \$436.00
- SSP329** 4 Point Trouble Free Snap On mounts \$348.00

Foam Options

- SMD300** 1/2" Pudgee \$128.00
- SMD356** 1/2" Cubed Gel \$198.00
- SMD310** 1/2" Flat Gel \$198.00
- SMD361** 1/2" Closed Cell Foam \$35.00
- SMD305** 1/2" Extra Soft SunMate \$45.00
- SMD311** 1/2" Soft SunMate \$45.00
- SMD313** 1/2" Medium SunMate \$45.00
- SMD353** 1/2" Firm SunMate \$45.00
- SMD307** 1/2" Extra Soft T-Foam \$55.00
- SMD346** 1/2" Soft T-Foam \$55.00
- SMD351** 1/2" Medium T-Foam \$55.00
- SMD363** 1/2" HR1 \$25.00
- SMD365** 1/2" HR2 \$25.00
- SMD367** 1/2" HR3 \$25.00

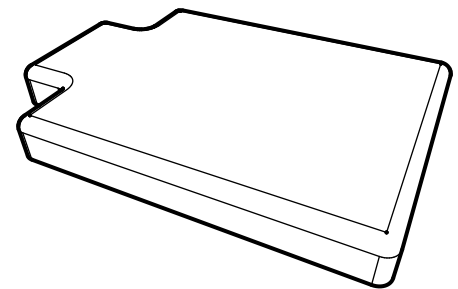
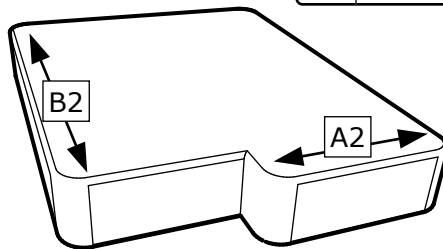
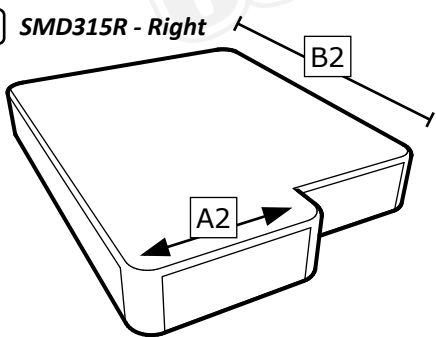
*Include tracks

Assymetrical Long Side Option » Add \$89.00

SMD315R - Right

SMD315L - Left

A2	
B2	



Cane 2" x 2" Back Cut Out [SMD319]

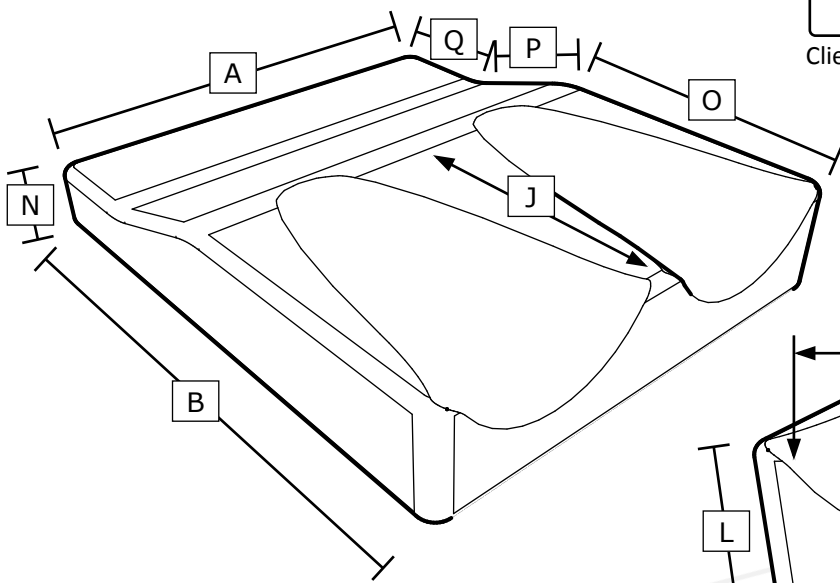
Notes:

E2609

Mark for:

PO#:

Foam Only

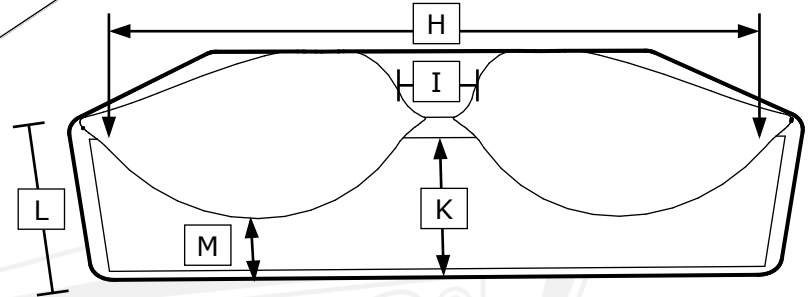


Client Seat Depth

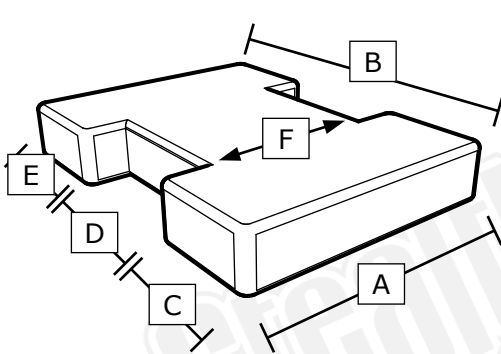
A	
B	
H	
I	
J	
K	

L	
M	
N	
O	
P	
Q	

No Abductor

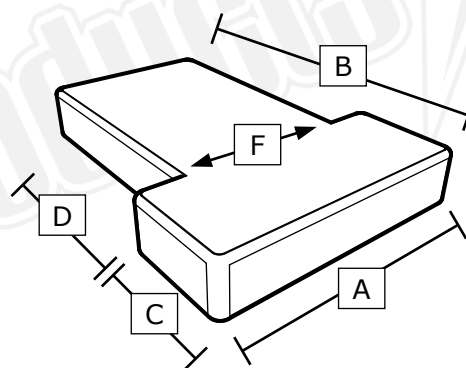


I-Seat Modification [SMD317] \$91.00 Foam Only



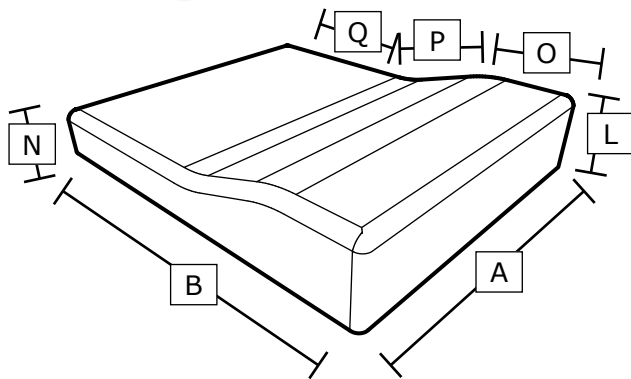
A	
B	
C	
D	
E	
F	

T-Seat Modification [SMD316] \$91.00 Foam Only



A	
B	
C	
D	
F	

Anti-Thrust Modification [SMD320] \$128.00 Foam Only



A	
B	
L	
N	
O	
P	
Q	

Notes:

E2609

Mark for:

PO#:

Ultra Series Head Positioning System

Building Your Ultra

To build an ultra it is required to include the SU980. If you are filling this out electronically, it will be selected automatically.

Mounting Hardware

A **SU980** K0108 Ultra QCRS Adapter \$275.00

B **TWB480-QCRS** Ultra QCRS Ready \$220.00

C **TWB485-QCR** Ultra QCRS Ready \$220.00

D **TWB480-QFDM** Ultra QCRS Ready \$299.00

Occipital Pads E0955

500 Ultra 6" x 3.75" Large Occipital Pad \$50.00

510 Ultra 4.5" x 2" Small Occipital Pad \$50.00

520 Ultra Niño 3" x 3" Occipital Pad \$50.00

530 Ultra Niño 2" x 3" Occipital Pad \$50.00

Sub-Occipital Pads K0108

600 Ultra 8" x 2.75" Medium Sub-Occipital Pad \$50.00

610 Ultra 6.375" x 2.25" Small Sub-Occipital Pad \$50.00

620 Ultra 10.5" x 2.75" Large Sub-Occipital Pad \$50.00

630 Ultra Ready Small Low Profile i2i* \$400.00

640 Ultra Ready Medium Low Profile i2i* \$400.00

637 Ultra Ready Large Low Profile i2i* \$400.00

Pad Modifications K0108

Occipital Pads	Sub-Occipital Pads		
<input type="checkbox"/> _____-D	<input type="checkbox"/> _____-D	Dartex Cover	\$25.00
<input type="checkbox"/> _____-F	<input type="checkbox"/> _____-F	Foam Only	\$25.00
<input type="checkbox"/> _____-G	<input type="checkbox"/> _____-G	Gel Addition	\$50.00
<input type="checkbox"/> _____-RD	<input type="checkbox"/> _____-RD	Reverse Dartex Cover	\$25.00

i2i Series Head Positioning System K0108

Standard \$699.00

i2i280 XS

i2i380 Niño S

i2i480 S

i2i580 M

i2i680 L

i2i780 XLG

w/ Adjustable Arms \$644.00*

i2i440 S i2i640 L

i2i540 M i2i740 XL

i2i-RA Reinforced Steel Stabilizer Arms \$75.00

i2i-SKC i2i Sheepskin Headrest Cover \$100.00

i2i-EC i2i Ear Cut Outs Left Right \$0.00

i2i-460 Small Chin Prompt \$75.00

i2i-460-C Small Chin Prompt Cover \$50.00

i2i-460-VC Small Chin Prompt Vinyl Cover \$50.00

i2i-560 Medium Chin Prompt \$75.00

i2i-560-C Medium Chin Prompt Cover \$50.00

i2i-560-VC Medium Chin Prompt Vinyl Cover \$50.00

i2i-660 Large Chin Prompt \$75.00

i2i-660-C Large Chin Prompt Cover \$50.00

i2i-660-VC Large Chin Prompt Vinyl Cover \$50.00

i2i461** Small Trachea Chin Prompt

i2i561** Medium Trachea Chin Prompt

i2i661** Large Trachea Chin Prompt

i2i761** Extra Large Trachea Chin Prompt **\$100.00**

** No Chin Prompt / ** Intended use for tracheostomy clients*

All Positioning And Combo Series

AP E0955 **\$142.00**

AP150 XS

AP250 S

AP350 M

AP450 L

AP550 XL

Combo E0955 **\$275.00**

CB315 Pediatric

CB305 Adult

CB325 X-Large

Comfort Plus Head Rest

Comfort Plus E0955 **\$142.00**

CP150 14"

CP250 10"

CPN350 6"

CP450 8"

Tri-Comfort Plus E0955 **\$152.00**

TCP105 19"

TCP205 14"

TCP305 10"

TCP405 8"

TCP505 6"

3 Piece Tri-Comfort Modifications

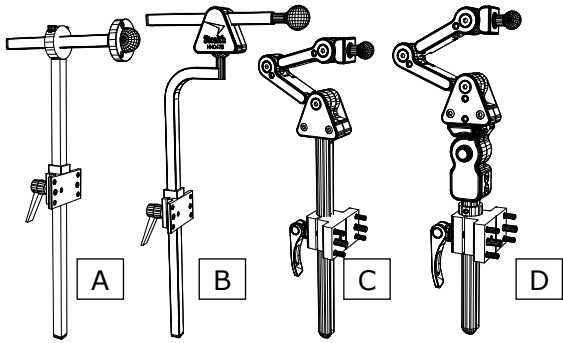
CPMOD-01 3 Individual Pieces Covered As One \$165.00

CPMOD-02 3 Individual Pieces Covered Separately \$240.00

Mark for: PO#:

Head Positioning & Headrest Hardware

Mounting Hardware E1028



<input type="checkbox"/>	A	HMO400	Standard Straight 1" Ball	\$125.00
<input type="checkbox"/>	A	HMO400-17	Standard Straight 17mm Ball Kit	\$125.00
<input type="checkbox"/>	B	HMO475	Multi-Axes Hardware	\$150.00
<input type="checkbox"/>	B	HMO475-17	Multi-Axes Hardware 17mm Ball Kit	\$150.00
<input type="checkbox"/>	C	TWB480-1"	Link Hardware 1" Ball	\$220.00
<input type="checkbox"/>	C	TWB480-17mm	Link Hardware 17mm Ball Kit	\$220.00
<input type="checkbox"/>	D	TWB480-1"FDM	Link Hardware 1" Ball w/ Flip Down Mount	\$299.00
<input type="checkbox"/>	D	TWB480-17FDM	Link Hardware 17mm Ball Kit w/ Flip Down	\$299.00

Hardware Parts & Replacements K0108

<input type="checkbox"/>	FDM380	Flip Down Mount for TWB Series	\$150.00
<input type="checkbox"/>	FDM350	Flip Down Mount for HMO Series	\$150.00
<input type="checkbox"/>	TD100	Tone Deflector for SU Rings	\$200.00
<input type="checkbox"/>	TD101	Tone Deflector for CP Rings	\$200.00
<input type="checkbox"/>	TWB-17mmBK	3 Pieces 17mm Ball Kit	\$75.00
<input type="checkbox"/>	TWB-1"BK	3 Pieces 1" Ball	\$75.00
<input type="checkbox"/>	CP-RING	Comfort Plus 3 Holes Ring	\$20.00
<input type="checkbox"/>	SU-RING	Ultra 4 Holes Ring	\$20.00
<input type="checkbox"/>	CB-HB	Combo Style Hinge Brackets	\$55.00
<input type="checkbox"/>	HMO-HB	HMO 7" Horizontal Bar 1" Ball	\$30.00

<input type="checkbox"/>	HMS-HB	Ultra 7" Horizontal Bar 17mm	\$30.00
<input type="checkbox"/>	HMO-HBLong	HMO Extended Horizontal Bar (17")	\$50.00
<input type="checkbox"/>	TWB-ST	Stop Collar for TWB Series	\$15.00
<input type="checkbox"/>	HMO475-TR	Triangle Bracket for HMO Series	\$50.00
<input type="checkbox"/>	TWB480-TR	Triangle Clamp for TWB Series	\$50.00
<input type="checkbox"/>	TWB-LINK	3" (long) Link w/ Set Screw	\$50.00
<input type="checkbox"/>	TWB-SLINK	TWB Series Triangle 2.25" Link	\$50.00

Seat Back Mounts

<input type="checkbox"/>	SBM400	Seat Back Mount for TWB Series	\$50.00
<input type="checkbox"/>	SBM300	Seat Back Mount for HMO Series	\$50.00

Swing Away K0108

<input type="checkbox"/>	SUS9-B-HW	Ultra Series Swing Away System	\$310.00
Compatible with: Ultra Series, i2i Series and Combo Series. Includes: SUS9-L, SUS9-R, Standard 9" Rod.			
<input type="checkbox"/>	CPS9-B-HW	Comfort Plus Swing Away System	\$325.00
Compatible with: Comfort Plus & Tri-Comfort Plus. Includes: CPS9-L, CPS9-R, Standard 9" Rod.			

<input type="checkbox"/>	F8675	Figure 8 Swing Away Option	\$250.00
--------------------------	--------------	----------------------------	----------

<input type="checkbox"/>	SU260	Standard 9" Lateral Rod w/ Ring	\$75.00
<input type="checkbox"/>	SU260E	SU260 w/ Egg Switch Mount	\$125.00
<input type="checkbox"/>	SU262	6" Short Lateral Rod w/ Ring	\$75.00
<input type="checkbox"/>	SU262E	SU262 w/ Egg Switch Mount	\$125.00
<input type="checkbox"/>	SU264	Extended 13" Lateral Rod w/ Ring	\$75.00
<input type="checkbox"/>	SU265	Extended 18" Lateral Rod w/ Ring	\$100.00

<input type="checkbox"/>	900	Ultra Standard 4.5"d x 2"h Lateral Pad	\$50.00
<input type="checkbox"/>	910	3"d x 2"h Lateral Pad	\$50.00
<input type="checkbox"/>	920	6.375"d x 2.25"h Long Bendable Lat. Pad	\$50.00
<input type="checkbox"/>	930	6.375"d x 1.5"h Niño Long Bendable L. Pad	\$50.00
<input type="checkbox"/>	ESM	Egg Switch Mount	\$50.00

Pad #1

Pad #2

<input type="checkbox"/>	_____ -D	<input type="checkbox"/>	_____ -D	Dartex Cover	\$25.00
<input type="checkbox"/>	_____ -G	<input type="checkbox"/>	_____ -G	Gel Addition	\$35.00
<input type="checkbox"/>	_____ -RD	<input type="checkbox"/>	_____ -RD	Reverse Dartex Cover	\$25.00
<input type="checkbox"/>	_____ -V	<input type="checkbox"/>	_____ -V	Vinyl Cover	\$25.00

<input type="checkbox"/>	ESYEL	Yellow Egg Switch	\$77.00
<input type="checkbox"/>	ESBLK	Black Egg Switch	\$77.00
<input type="checkbox"/>	ESRED	Red Egg Switch	\$77.00
<input type="checkbox"/>	ESGRN	Green Egg Switch	\$77.00
<input type="checkbox"/>	ESBLU	Blue Egg Switch	\$77.00
<input type="checkbox"/>	ES-EXT	Egg Switch Extension Cable	\$15.00
<input type="checkbox"/>	ESRM	Ring Mount for Finger	\$49.00

<input type="checkbox"/>	SM600	Mini Proportional Joystick Mount	\$250.00
<input type="checkbox"/>	SM630	ASL MEC Joystick Mount	\$250.00
<input type="checkbox"/>	MC210	Tash Mini Cup Switch	\$125.00
<input type="checkbox"/>	ML210	Micro Lite Switch	\$150.00
<input type="checkbox"/>	CN600	12" Flex Micro Lite Switch Mount	\$325.00
<input type="checkbox"/>	SP625	Sip & Puff Mount	\$275.00
<input type="checkbox"/>	FO660	20" Flex Fiber Optic Mount	\$300.00
<input type="checkbox"/>	FO650	Lateral Rod Fiber Optic Mount	\$300.00

Mark for:

PO#:

Lateral Thoracic - Hardware



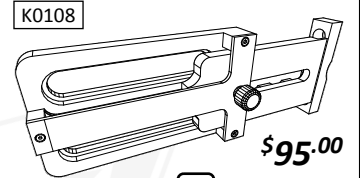
- A** **LT500** Fixed Mount -L -R \$124.00 E0956
- B** **LT510** Fixed Modular -L -R \$197.00 E0956
- C** **LT520** Fixed Swing Away Modular -L -R \$265.00 E1028
- D** **TWBL** Swing Away Link Style -L -R \$225.00 E1028
- E** **TWBTL** Thin Swing Away Link Style -L -R \$225.00 E1028
- F** **TWBSTL** TWBTL w/ Extra Link -L -R \$225.00 E1028

Mount Options: (Price per each) K0108

- LTHW505** Thoracic Planar Mount \$50.00
- SBHD231** 7" Track Mount \$33.00
- LTHW501** 3/4" Cane Mount \$50.00
- LTHW502** 7/8" Cane Mount \$50.00
- LTHW500** 1" Cane Mount \$50.00

Modular Hardware Option: only for B C K0108

- LHW-121** 1" x 1" Offset Adapter \$75.00
- LHW-123** 1" x 2" Offset Adapter \$75.00
- LHW-120** 1" Height/Depth Adapter \$25.00
- LHW-122** 2" Height/Depth Adapter \$25.00
- LHW-124** 3" Height/Depth Adapter \$25.00



TWBL Hardware Option: only for D K0108

- LTHW511** Full Surface Contact L R \$75.00
- LHW-129** TWB Lateral Link Qty \$50.00

LTHW504
All Season Bracket

Lateral Thoracic - Pads & Mods E0956

- Standard « \$50.00 ea. -metal measurement- L R
- TWBL- (Pediatric)TWBNL- L R
- 3x5 4x6 2x3 3x3 3x5 6x1

\$75.00

Custom

LTP500

L R

\$15

Tapered

LTMD503

L R

\$15

Tear Drop

LTMD407

L R

Pad #1 A B C L R

Actual measurement with foam

Pad #2 A B C L R

Actual measurement with foam

Lateral Thoracic Modifications K0108

- LTMD505** Flat Metal Base -L -R \$25.00

Contour Fit **\$37.00**

Curved **\$25.00**

- LTMD501** L R
- LTMD507** Wood L R
- LTMD506** Metal L R

Spacers \$16.00 Specify Qty.

- LHW-134** 1/4" Spacer
- LHW-135** 1/2" Spacer

Covers (K0108)

- LHW-126** Hardware Covers (pair) L R \$25.00
- LTMD509** Slip Covers (pair) L R \$165.00

Lateral Thoracic - Foam Options

Foam Type: Thickness:

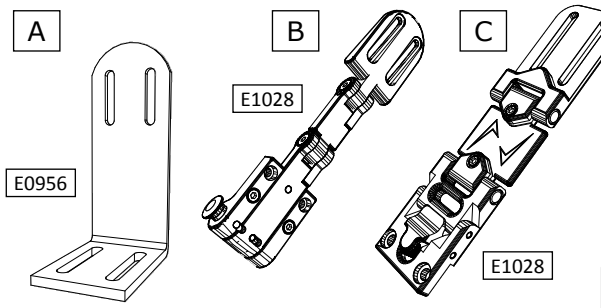
Standard Closed Cell Foam with 1/2" Thickness

Note:

Mark for:

PO#:

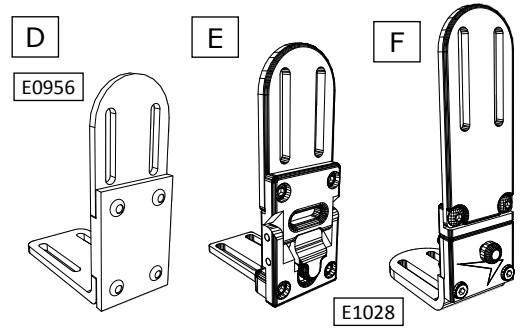
Pelvic/Thigh - Hardware



To select more than 2 of the same kind of hardware you need to specify it in the quantity box. (-L) means left, (-R) right, (F) front, (M) middle - standard, (B) back. Any complex combination should be explain in the note box. In the position boxes type in (L) or (R) to specify side position. Standard position is Middle.

Qty	Code	Description
<input type="checkbox"/>	A LP400	Fixed Mount
<input type="checkbox"/>	B TWBADD	Swing Away Link Style
<input type="checkbox"/>	C TWBSTLADD	Thin SA Link Style w/ Extra Link
<input type="checkbox"/>	D LP410	Fixed Modular
<input type="checkbox"/>	E LP420	Fixed Swing Away Modular
<input type="checkbox"/>	F LP430	Removable Fixed SA Mod.

Side		Position		
-L	-R	F	B	
<input type="checkbox"/>	<input type="checkbox"/>	<input type="checkbox"/>	<input type="checkbox"/>	\$124.00
<input type="checkbox"/>	<input type="checkbox"/>	<input type="checkbox"/>	<input type="checkbox"/>	\$225.00
<input type="checkbox"/>	<input type="checkbox"/>	<input type="checkbox"/>	<input type="checkbox"/>	\$225.00
<input type="checkbox"/>	<input type="checkbox"/>	<input type="checkbox"/>	<input type="checkbox"/>	\$197.00
<input type="checkbox"/>	<input type="checkbox"/>	<input type="checkbox"/>	<input type="checkbox"/>	\$225.00
<input type="checkbox"/>	<input type="checkbox"/>	<input type="checkbox"/>	<input type="checkbox"/>	\$250.00

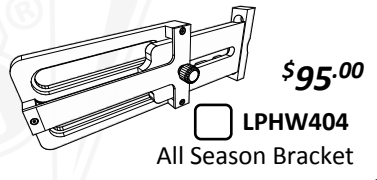


Modular Hardware Option: only for D E F K0108

<input type="checkbox"/>	LHW-121	1" x 1" Offset Adapter	\$30.00
<input type="checkbox"/>	LHW-123	1" x 2" Offset Adapter	\$30.00
<input type="checkbox"/>	LHW-120	1" Height/Depth Adapter	\$25.00
<input type="checkbox"/>	LHW-122	2" Height/Depth Adapter	\$25.00
<input type="checkbox"/>	LHW-124	3" Height/Depth Adapter	\$25.00

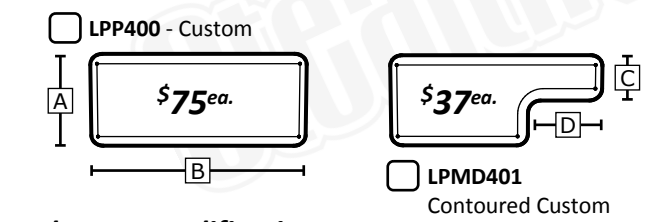
Mount Options: (Specify Qty.) K0108

<input type="checkbox"/>	LPHW405	P/T Planar Mount	\$50.00	<input type="checkbox"/>	LPHW402	7/8" Cane Mount	\$50.00
<input type="checkbox"/>	SBHD231	7" Track Mount	\$33.00	<input type="checkbox"/>	LPHW400	1" Cane Mount	\$50.00
<input type="checkbox"/>	LPHW401	3/4" Cane Mount	\$50.00				



Pelvic/Thigh - Pads (E0956)

Standard « \$50.00 ea. -base measurement-
 TWBADD-
 3x6 4x4 4x6 4x8 4x10 4x12



Pad Foam Modification
 Standard Closed Cell Foam with 1/2" Thickness

Foam Type:

Thickness:

Pelvic/Thigh Modifications & Accessories

Qty.	Code	Description	For Pad #	Price
<input type="checkbox"/>	LPMD404	Flat Aluminum Base	<input type="checkbox"/> 1 <input type="checkbox"/> 2 <input type="checkbox"/> 3 <input type="checkbox"/> 4	\$25.00
<input type="checkbox"/>	LPHW406	20° Bracket	<input type="checkbox"/> 1 <input type="checkbox"/> 2 <input type="checkbox"/> 3 <input type="checkbox"/> 4	\$75.00

Spacers (K0108)

Code	Description	For Pad #	Price	
<input type="checkbox"/>	LHW-134	1/4" Spacer	<input type="checkbox"/> 1 <input type="checkbox"/> 2 <input type="checkbox"/> 3 <input type="checkbox"/> 4	\$16.00
<input type="checkbox"/>	LHW-135	1/2" Spacer	<input type="checkbox"/> 1 <input type="checkbox"/> 2 <input type="checkbox"/> 3 <input type="checkbox"/> 4	\$16.00

TWBL Hardware Options (K0108)

Code	Description	For Pad #	Price	
<input type="checkbox"/>	LPHW407	TWBL Full Surface Contact	<input type="checkbox"/> 1 <input type="checkbox"/> 2 <input type="checkbox"/> 3 <input type="checkbox"/> 4	\$75.00
<input type="checkbox"/>	LHW-129	TWBL Lateral Link	<input type="checkbox"/> 1 <input type="checkbox"/> 2 <input type="checkbox"/> 3 <input type="checkbox"/> 4	\$50.00

Covers (K0108)

<input type="checkbox"/>	LHW-126	Hardware Covers (pair)	\$25.00
<input type="checkbox"/>	LTMD509	Slip Covers (pair)	\$165.00

Pad #1 A B C D L R

Pad #2 A B C D L R

Pad #3 A B C D L R

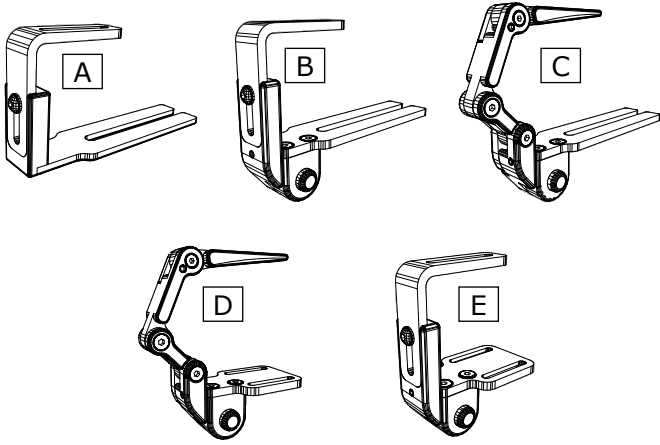
Pad #4 A B C D L R

Note:

Mark for: PO#:

Every price in this page is by each unless specify otherwise

Medial - Hardware E1028

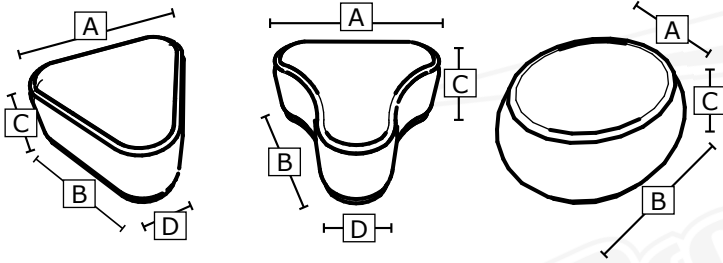


- A MTHW-600** Removable Fixed \$168.00
- B MTHW-610** Removable Flip Down \$228.00
- C MTHW-630** Removable Flip Down Link Style \$278.00
- D MTHW-620** Fixed Flip Down Link Style \$248.00
- E MTHW-640** Fixed Flip Down \$198.00

Medial - Link Hardware Accessories K0108

- MTHW-02** Medial Support Extra Link* \$50.00
- MTMD-613** FSC - Full Surface Contact* \$75.00

Medial - Pads E0956



Pad #1 X X X

Pad Foam Modification

Standard Closed Cell Foam with 1/2" Thickness

Foam Type:

Thickness:

Wedge Pad

- MTMD-12** Small Wedge Pad \$142.00
- MTMD-13** Medium Wedge Pad \$142.00
- MTMD-14** Large Wedge Pad \$142.00
- MTMD-19** Custom Wedge Pad \$175.00

Knee Cut Out

- MTMD-32** Small Medial Pad w/ Knee Cut Out \$142.00
- MTMD-33** Medium Medial Pad w/ Knee Cut Out \$142.00
- MTMD-34** Large Medial Pad w/ Knee Cut Out \$142.00
- MTMD-39** Custom Medial Pad w/ Knee Cut Out \$175.00

Oval Pad

- MTMD-22** Small Oval Pad \$142.00
- MTMD-23** Medium Oval Pad \$142.00
- MTMD-24** Large Oval Pad \$142.00
- MTMD-29** Custom Oval Pad \$175.00

Size	Style	A	B	C	D
X-Small	Oval	2.5"	3.5"	3"	
Small	Wedge	3"	4"	3"	2"
Small	Oval	3"	4"	3"	
Med	Wedge	4.5"	5"	3"	2"
Med	Oval	4.5"	5"	3"	
Large	Wedge	5"	5"	4"	3"
Large	Oval	5"	5"	4"	

Note:

Mark for:

PO#:

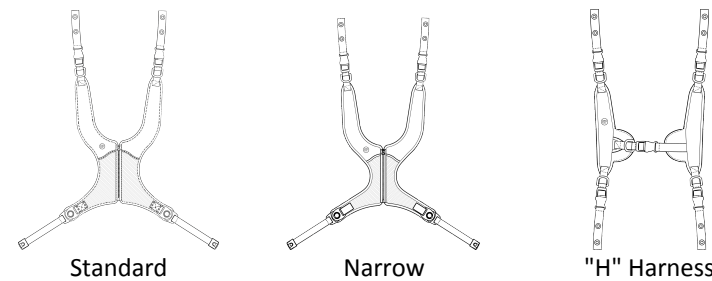
BodyPoint® Upper Body Support E0960

Stay Flex Anterior

- SSH310S** Small Standard w/Zipper \$186.00
- SSH310M** Medium Standard w/Zipper \$186.00
- SSH310L** Large Standard w/Zipper \$192.00
- SSH311XS** Extra Small Stayflex Standard \$186.00
- SSH311S** Small Stayflex Standard \$186.00
- SSH311M** Medium Stayflex Standard \$186.00
- SSH311L** Large Stayflex Standard \$192.00
- SSH311XL** Extra Large Stayflex Standard \$200.00
- SSH330M** Medium Narrow Stayflex w/ Zipper \$186.00
- SSH330L** Large Narrow Stayflex w/ Zipper \$192.00
- SSH331S** Small Stayflex Narrow \$186.00
- SSH331M** Medium Stayflex Narrow \$186.00
- SSH331L** Large Stayflex Narrow \$192.00
- SSH331XL** Extra Large Stayflex Narrow \$200.00

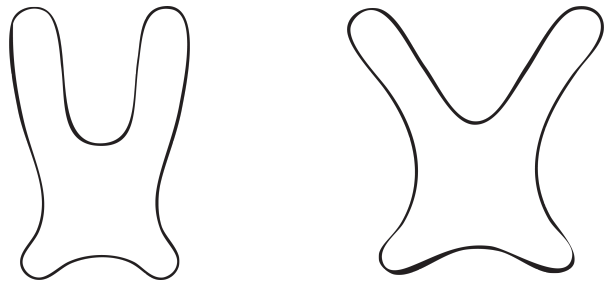
Front Or Rear Pull Shoulder Harnesses

- SSH220S** Small Standard Rear Pull (ea.) \$150.00
- SSH220S-B1** SSH201 Flat Mount \$150.00
- SSH220M** Medium Standard Rear Pull (ea.) \$150.00
- SSH220M-B1** SSH202 Flat Mount \$150.00
- SSH220L** Large Standard Rear Pull (ea.) \$155.00
- SSH220L-B1** SSH203 Flat Mount \$155.00
- SSH220XL** Extra Large Standard Rear Pull (ea.) \$155.00
- SSH220XL-B1** SSH204 Flat Mount \$155.00
- SSH210S** Small Standard Front Pull (ea.) \$150.00
- SSH210S-B1** SSH211 Flat Mount \$150.00
- SSH210M** Medium Standard Front Pull (ea.) \$150.00
- SSH210M-B1** SSH212 Flat Mount \$150.00
- SSH210L** Large Standard Front Pull (ea.) \$160.00
- SSH210L-B1** SSH213 Flat Mount \$160.00
- SSH210XL** Extra Large Standard Front Pull (ea.) \$165.00
- SSH210XL-B1** SSH214 Flat Mount \$165.00



Note:

Stealth Products® Upper Body Support E0960



Dynamic Butterfly - \$154

- SPDBFXS** X-Small
- SPDBFS** Small
- SPDBFM** Medium
- SPDBFL** Large

Butterfly Chest - \$132

- SPBFEX** X-Small
- SPBFS** Small
- SPBFM** Medium
- SPBFL** Large



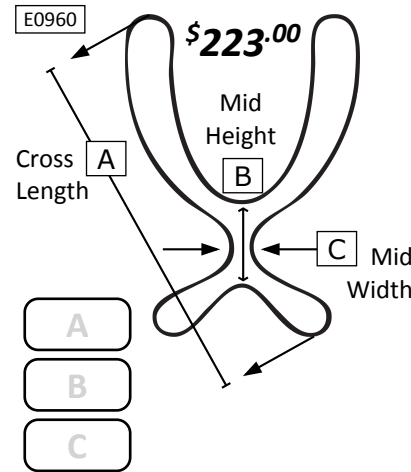
"H" Harness - \$120

- SPHBS** Small
- SPHBM** Medium
- SPHBL** Large

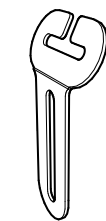
Dynamic "H" Harness - \$159

- SPDHBS** Small
- SPDHBM** Medium
- SPDHBL** Large

Custom Anterior Chest



- BSRF01** Flat Strap Raiser
\$43.00 Pair



- BSRB02** 25° Strap Raiser
\$43.00 Pair

Qty:

Size	A	B	C
<input type="checkbox"/> X-Small	11"	1 1/4"	4"
<input type="checkbox"/> Small	15"	1"	3 3/4"
<input type="checkbox"/> Med	18"	1"	4 3/4"
<input type="checkbox"/> Large	21"	1 1/4"	6"
<input type="checkbox"/> X-Large	23 1/2"	3 3/4"	7"

Mark for:

PO#:

BodyPoint® Pelvic Support E0978

Padded Two Point Dual Pull Pelvic Belts

<input type="checkbox"/> SHB216XS-A1	Extra Small - (SR-FS-FM)	\$78.00
<input type="checkbox"/> SHB216XS-A2	Extra Small - (SR-FS-CM)	\$78.00
<input type="checkbox"/> SHB2016XS-B1	Extra Small - (SR-FM)	\$76.00
<input type="checkbox"/> SHB216XS-B2	Extra Small - (SR-CM)	\$76.00
<input type="checkbox"/> SHB216S-A1	Small - (SR-FS-FM)	\$80.00
<input type="checkbox"/> SHB216S-A2	Small - (SR-FS-CM)	\$80.00
<input type="checkbox"/> SHB216S-B1	Small - (SR-FM)	\$78.00
<input type="checkbox"/> SHB216S-B2	Small - (SR-CM)	\$78.00
<input type="checkbox"/> SHB216M-A1	Medium - (SR-FS-FM)	\$85.00
<input type="checkbox"/> SHB216M-A2	Medium - (SR-FS-CM)	\$85.00
<input type="checkbox"/> SHB216M-B1	Medium - (SR-FM)	\$83.00
<input type="checkbox"/> SHB216M-B2	Medium - (SR-CM)	\$83.00

Padded Two Point Center Pull Pelvic Belts

<input type="checkbox"/> SHB215XS-A2	Extra Small - (SR-FS-CM)	\$76.00
<input type="checkbox"/> SHB215XS-B1	Extra Small - (SR-FM)	\$72.00
<input type="checkbox"/> SHB215XS-B2	Extra Small - (SR-CM)	\$72.00
<input type="checkbox"/> SHB215S-A1	Small - (SR-FS-FM)	\$80.00
<input type="checkbox"/> SHB215S-B1	Small - (SR-FM)	\$76.00
<input type="checkbox"/> SHB215S-B2	Small - (SR-CM)	\$76.00
<input type="checkbox"/> SHB215M-A1	Medium - (SR-FS-FM)	\$87.00
<input type="checkbox"/> SHB215M-A2	Medium - (SR-FS-CM)	\$87.00
<input type="checkbox"/> SHB215M-B1	Medium - (SR-FM)	\$84.00
<input type="checkbox"/> SHB215M-B2	Medium - (SR-CM)	\$84.00
<input type="checkbox"/> SHB205M-A1	Medium - (MPB-FS-FM)	\$110.00
<input type="checkbox"/> SHB245M-A1	Medium - (CPB-FS-CM)	\$122.00
<input type="checkbox"/> SHB215L-A1	Large - (SR-FS-FM)	\$92.00
<input type="checkbox"/> SHB215L-A2	Large - (SR-FS-CM)	\$92.00
<input type="checkbox"/> SHB215L-B1	Large - (SR-FM)	\$90.00
<input type="checkbox"/> SHB215L-B2	Large - (SR-CM)	\$90.00
<input type="checkbox"/> SHB205S-A1	Small - (MPB-FS-FM)	\$107.00
<input type="checkbox"/> SHB205S-A2	Small - (MPB-FS-CM)	\$107.00
<input type="checkbox"/> SHB205S-B1	Small - (MPB-FM)	\$105.00
<input type="checkbox"/> SHB205S-B2	Small - (MPB-CM)	\$105.00
<input type="checkbox"/> SHB205L-A1	Large - (MPB-FS-FM)	\$117.00
<input type="checkbox"/> SHB205L-A2	Large - (MPB-FS-CM)	\$117.00

Padded Two Point Rear Pull Pelvic Belts

<input type="checkbox"/> SHB219S-A2	Small - (SR-FS-CM)	\$101.00
<input type="checkbox"/> SHB209S-A2	Small - (MPB-FS-CM)	\$138.00

Padded Four Point Center Pull Pelvic Belts E0978

<input type="checkbox"/> SHB435XS-A1	Extra Small - (PB-FS-FM)	\$129.00
<input type="checkbox"/> SHB435XS-A2	Extra Small - (PB-FS-CM)	\$129.00
<input type="checkbox"/> SHB435XS-B1	Extra Small - (PB-FM)	\$125.00
<input type="checkbox"/> SHB435XS-B2	Extra Small - (PB-CM)	\$125.00
<input type="checkbox"/> SHB405S-A1	Small - (MPB-FS-FM)	\$138.00
<input type="checkbox"/> SHB405S-A2	Small - (MPB-FS-CM)	\$138.00
<input type="checkbox"/> SHB405S-B1	Small - (MPB-FM)	\$135.00
<input type="checkbox"/> SHB405S-B2	Small - (MPB-CM)	\$135.00
<input type="checkbox"/> SHB405M-A1	Medium - (MPB-FS-FM)	\$145.00
<input type="checkbox"/> SHB405M-A2	Medium - (MPB-FS-CM)	\$140.00
<input type="checkbox"/> SHB405M-B1	Medium - (MPB-FM)	\$140.00
<input type="checkbox"/> SHB405M-B2	Medium - (MPB-CM)	\$140.00
<input type="checkbox"/> SHB405L-A1	Large - (MPB-FS-FM)	\$150.00
<input type="checkbox"/> SHB405L-A2	Large - (MPB-FS-CM)	\$150.00
<input type="checkbox"/> SHB405L-B1	Large - (MPB-FM)	\$145.00
<input type="checkbox"/> SHB405L-B2	Large - (MPB-CM)	\$145.00

Padded Four Point Rear Pull Pelvic Belts

<input type="checkbox"/> SHB439XS-A1	Extra Small - (XSMPB-FS-FM)	\$140.00
<input type="checkbox"/> SHB439XS-A2	Extra Small - (XSMPB-FS-CM)	\$155.00
<input type="checkbox"/> SHB439XS-B1	Extra Small - (XSMPB-FM)	\$125.00
<input type="checkbox"/> SHB439XS-B2	Extra Small - (XSMPB-CM)	\$135.00
<input type="checkbox"/> SHB409S-A1	Small - (MPB-FS-FM)	\$140.00
<input type="checkbox"/> SHB409S-A2	Small - (MPB-FS-CM)	\$150.00
<input type="checkbox"/> SHB409S-B1	Small - (MPB-FM)	\$130.00
<input type="checkbox"/> SHB409S-B2	Small - (MPB-CM)	\$140.00
<input type="checkbox"/> SHB409M-A1	Medium - (MPB-FS-FM)	\$150.00
<input type="checkbox"/> SHB409M-A2	Medium - (MPB-FS-CM)	\$135.00
<input type="checkbox"/> SHB409M-B1	Medium - (MPB-FM)	\$135.00
<input type="checkbox"/> SHB409M-B2	Medium - (MPB-CM)	\$160.00

Stealth Products® Pelvic Support E0978

Padded Two Point Center Pull Pelvic Belts

<input type="checkbox"/> SPPHBS-CP	Small - (PB-FM)	\$71.00
<input type="checkbox"/> SPPHBM-CP	Medium - (PB-FM)	\$71.00
<input type="checkbox"/> SPPHBL-CP	Large - (PB-FM)	\$71.00

Padded Four Point Center Pull Pelvic Belts

<input type="checkbox"/> SPPHBS-CP4	Small - (PB-FM)	\$106.00
<input type="checkbox"/> SPPHBM-CP4	Medium - (PB-FM)	\$106.00
<input type="checkbox"/> SPPHBL-CP4	Large - (PB-FM)	\$106.00

<input type="checkbox"/> SPPCPB-P	Custom Pad For Pelvic Belts (pair)	\$43.00
-----------------------------------	------------------------------------	---------

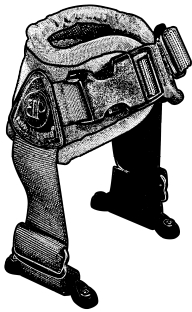
K0108 Height **X** Width

SR - Side Release » FS - Frame Saver » CM - Cinch Mount » FM - Flat Mount » HL - Hook & Loop » AM - Adjustable Mount
 Push Buttons: PB - Standard » XSMPB - X-Small Metal » MPB - Metal » CPB - Compact

Mark for:

PO#:

BodyPoint® Ankle Huggers™ (K0108)



Velcro® Release Ankle Huggers™

- SFT210XS Extra Small - (HL-AM) \$163.00
- SFT210S Small - (HL-AM) \$163.00
- SFT210M Medium - (HL-AM) \$168.00
- SFT210L Large - (HL-AM) \$168.00
- SFT210XL Extra Large - (HL-AM) \$173.00

Side Release Ankle Huggers™

- SFT220XS Extra Small - (SR-AM) \$163.00
- SFT220S Small - (SR-AM) \$163.00
- SFT220M Medium - (SR-AM) \$168.00
- SFT220L Large - (SR-AM) \$168.00
- SFT220XL Extra Large - (SR-AM) \$173.00

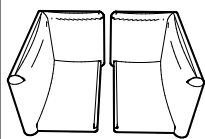
Ankle Support (E0951/E0952)

- SPLE142 Small Toe/Ankle Strap (Single - PB)* \$28.00
- SPLE143 Medium Toe/Ankle Strap (Single - PB)* \$28.00
- SPLE144 Large Toe/Ankle Strap (Single - PB)* \$28.00
- SPLE145 Custom Toe/Ankle Strap (Single - PB)* \$42.00
- SPLE146 Small Toe/Ankle Strap (Single - HL)* \$33.00
- SPLE147 Medium Toe/Ankle Strap (Single - HL)* \$33.00
- SPLE148 Large Toe/Ankle Strap (Single - HL)* \$33.00
- SPLE149 Custom Toe/Ankle Strap (Single - HL)* \$50.00
- SPLE150 Small Toe/Ankle Strap (Single - PB) \$23.00
- SPLE151 Medium Toe/Ankle Strap (Single - PB) \$23.00
- SPLE152 Large Toe/Ankle Strap (Single - PB) \$23.00
- SPLE153 Custom Toe/Ankle Strap (Single - PB) \$40.00
- SPLE154 Small Toe/Ankle Strap (Single - HL) \$28.00
- SPLE155 Medium Toe/Ankle Strap (Single - HL) \$28.00
- SPLE156 Large Toe/Ankle Strap (Single - HL) \$28.00
- SPLE157 Custom Toe/Ankle Strap (Single - HL) \$42.00

*include Pad

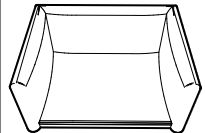
Foot Boxes (K0108)

Padded Single Leg Foot Boxes (w x d x h)



- SPLE107 Small (5 x 8 x 7) \$475.00
- SPLE108 Medium (6 x 10 x 9) \$475.00
- SPLE109 Large (7 x 12 x 11) \$475.00
- SPLE110 Custom \$580.00

Padded Double Leg Foot Box (w x d x h)



- SPLE103 Small (11 x 8 x 7) \$434.00
- SPLE104 Medium (13 x 10 x 9) \$434.00
- SPLE105 Large (15 x 12 x 11) \$434.00
- SPLE106 Custom \$525.00

Wide: Depth: Height:

Foam Type:

Thickness:

Foot Plate (K0108)

- SPLE162 Pad 1/2" Wood Base w/T-Nuts up to 8x8 \$131.00
- SPLE118 Pad Foam Only up to 8x8 w/Velcro \$91.00
- SPLE119 Pad Foam Only Custom w/Velcro \$141.00
- SPLE120 Pad 1/4" ABS Base w/T-Nuts up to 8x8 \$121.00
- SPLE121 Custom Pad 1/4" ABS Base w/T-Nuts \$171.00
- SPLE122 Custom Pad 1/2" Wood Base w/T-Nuts \$151.00
- SPLE123 w/ Small Adjustable 5"-7" Hardware \$325.00
- SPLE124 w/ Small Adjustable 8"-12" Hardware \$375.00



Calf Support (K0108)

- SPLE125 Pad 1/2" Wood Base w/T-Nuts \$171.00
- SPLE126 Pad 1/4" ABS Base w/T-Nuts \$171.00
- SPLE141 Custom Residual Limb 1/2" WB, 1" HR3 \$207.00



Shoe Holders (K0108)

- SPLE111 Small (3.75"x6.25") \$166.00
- SPLE112 Medium (4"x8.25") \$166.00
- SPLE113 Large (4"x9.75") \$166.00
- SPLE114 X-Large (5"x10.75") \$166.00

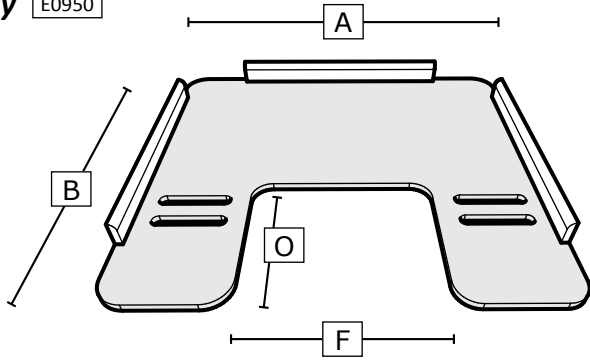
Note:

SR - Side Release » FS - Frame Saver » CM - Cinch Mount » FM - Flat Mount » HL - Hook & Loop » AM - Adjustable Mount

Mark for:

PO#:

Tray E0950



- ST105** Extra Small Clear 1/4" Lexan Tray \$95.00
- ST115** Small Clear 1/4" Lexan Tray \$95.00
- ST125** Medium Clear 1/4" Lexan Tray \$95.00
- ST135** Large Clear 1/4" Lexan Tray \$95.00
- ST145** Extra Large Clear 1/4" Lexan Tray \$95.00
- ST195** Custom Size Clear 1/4" Lexan Tray \$155.00

A
×
B
×
F
×
O

Tray Upgrade K0108

- STMD05** 3/8" Lexan Upgrade \$20.00

Trim Options

- STMD04** Curved Edging \$35.00
- STMD32** Aluminum Pencil Trim \$70.00
- STMD33** Wood Pencil Trim \$45.00
- STMD34** Wood Trim \$60.00
- STMD35** Tri-Corner Wood Trim \$45.00

Mounting Options K0108

- STHD100** Heavy Duty Hardware (Set) \$140.00
- STHD101** Toggle Mounting Hardware (see Toggle Options)
- STHD102** Channel Brackets (Set) \$150.00
- STHD103** Security Strap \$85.00
- STHD104** Wood Platform Runners w/ Strap \$60.00
- STHD105** ABS Channel Runners \$70.00

Toggle Mounting Options K0108

- STHD101** Standard Size \$195.00
 - STHD111** Mini Toggle Mounting \$195.00
- Spacers For Standard \$15.00
 How Many? 1/4" **STHD107** 3/8" **STHD108**
- Spacers For Mini \$25.00
 How Many? 1/4" **STHD109** 3/8" **STHD110**

Tray Pad Foam K0108

- STMD09** Front Half Pad \$240.00
- STMD10** Back Half Pad \$240.00
- STMD11** Full Pad Top Only \$280.00
- STMD12** Full Pad Top And Bottom \$468.00
- STMD13** Custom Tray Pad \$508.00

Foam Type: Thickness:

Tray Sizes

Size	A	B	F	O
X-Small	21"	18"	10"	7"
Small	22"	20"	13"	8"
Med	24"	22"	15"	9"
Large	26"	24"	17"	10"
X-Large	28"	26"	18"	10"

Note:

Elbow Block (priced by pair) K0108

- STMD06** Elbow Block with "L" Bracket \$125.00
- Back Pad* *Side Pad*
- H: × W: H: × D:
- Foam Type: Thickness:

Elbow Pad (priced by pair) K0108

- STMD07** Elbow Pad with ABS Base and Velcro \$125.00
 - STMD08** Elbow Pad with Wood Base And T-Nuts \$125.00
 - STMD39** Custom Elbow Pad - Foam Only \$103.00
- Height: × Width:
- Foam Type: Thickness:

- Same as: Other (if other specify)

Upholstery: Color:

Mark for:

PO#: